

# Filtration Product Catalog

---

Sock / bag filter housing

Sock / bag filter



Dynalene's filtration products offer a comprehensive particulate removal solution that can be tailored to any fluid application. The sock/bag filter vessels are available in standard sizes and customized to meet the customer requirements with respect to the material of construction, fluid handling capacity and flow rate. The filter bags are suitable to be used with the DYS series bag filter housing. The filtration systems are tested with the Dynalene fluid for compatibility and filtration efficiency.

# Bag / sock filter vessel

## DYS Series

The DYS series sock or bag filter vessels are designed to work with a wide range fluid flow rates from 15 to 100 gallon per minute. These heavy duty vessels are available in carbon steel and stainless steel with different options of inlet types and nozzle configurations. The vessels accommodate the standard BG series bag filters that Dynalene offers. The maximum pressure rating on our standard vessel design is 150 PSI and ASME code stamp

## Features

- Standard models offer 1 bag filter with a flow rate capability from 15 to 100 GPM.
- The pressure rating of the vessels is 150 PSI. ASME code stamping available.
- The vessels are available in Carbon Steel, 304SS and 316SS.
- Easy to use manual lid lift with swing bolt.
- Different sizes of NPT or flange connection configurations that fits diverse customer requirements.
- The vessels can be custom built to fit your specifications, which includes choice of pipe requirement, gasket material, number of bags and dimension of the support legs.



## Specifications

Housing material	Carbon Steel, 304 Stainless Steel and 316 Stainless Steel
Gasket material	Buna-N, Viton® and Teflon®
Maximum pressure rating	150 PSI
Number of bags	1 bag per vessel (Customization available)
Filter bag size	1, 2, 3, 4
Pipe connections	1, 2, 3, 4 inch
Inlet type	NPT and flange connection (Customization available)
Lid opening	Swing Bolt
Fluid flow rate	15 to 100 GPM
Basket material	316 stainless steel perforations with 9/64-inch perforations
Nozzle configuration	Side In/Bottom Out, Side In/Side Out, Offset, Side In/ Side out: same side
Support stand	Custom tripod leg assembly
Certification	ASME code stamping available

## Customization

Along with the standard filter vessels, we can also custom build vessels that meet your requirements. Contact us today at [610.262.9686](tel:610.262.9686) or email at [info@dynalene.com](mailto:info@dynalene.com) and discuss your application with Dynalene's fluid experts today.

# Bag / sock filter vessel

## Ordering information

1	2	3	4	5	6	7	8	9	10	11	12
DYS	01	A	15	F	02	F	02	S	B	01	U

**1 Model Number**  
DYS

**2 Vessel Size**  
01 = Bag size 1  
02 = Bag size 2  
03 = Bag size 3  
04 = Bag size 4

**3 Vessel Material**  
A = Carbon Steel  
B = 304 Stainless Steel  
C = 316 Stainless Steel

**4 Vessel Pressure Rating**  
15 = 150 PSI

**5 Inlet Type**  
F = Flange  
N = Female NPT

**6 Inlet Size**  
01 = 1 inch (DYS 03 & 04)  
02 = 2 inch (DYS 01, 02,  
03 & 04)  
03 = 3 inch (DYS 01 & 02)

**7 Outlet Type**  
F = Flange  
N = Female NPT

**8 Inlet Size**  
01 = 1 inch (DYS 03 & 04)  
02 = 2 inch (DYS 01, 02,  
03 & 04)  
03 = 3 inch (DYS 01 & 02)

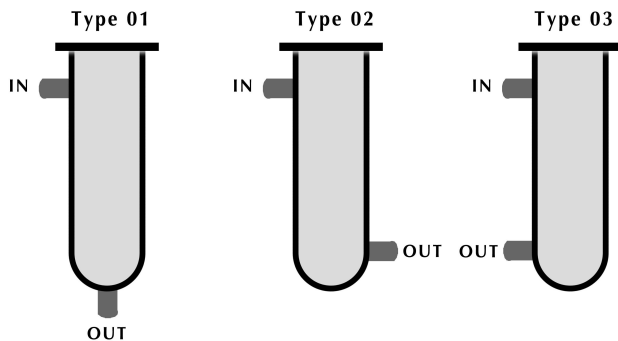
**9 Lid Opening**  
S = Swing Bolt

**10 Lid Seal**  
B = Buna-N  
V = Viton®  
T = Teflon®

**11 Nozzle Configuration**  
01 = Side In/Bottom Out  
02 = Side In/Side Out, Offset  
03 = Side In/ Side out, same side

**12 ASME Code Stamping**  
U = U stamp  
M = UM stamp\*  
N = No stamp  
\*For miniature pressure vessels

### Nozzle Configuration

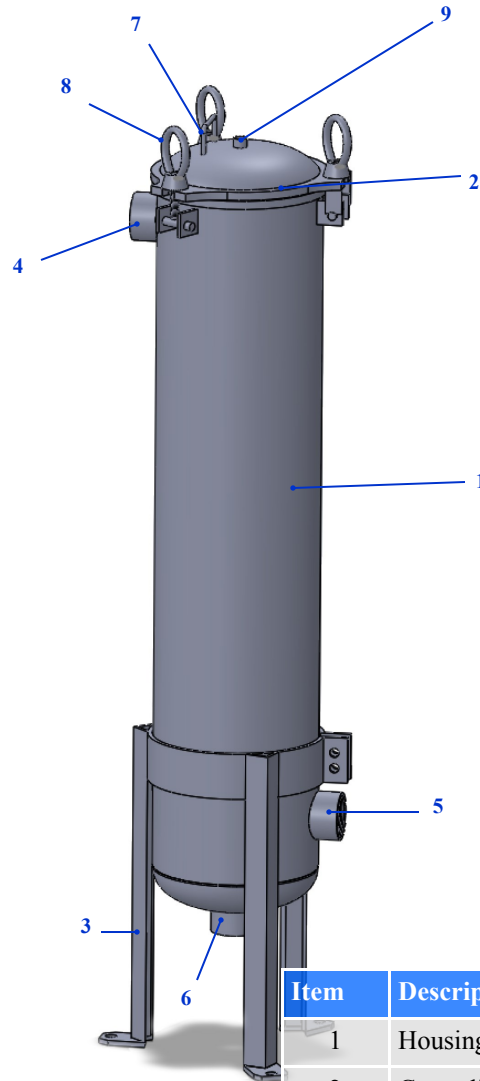
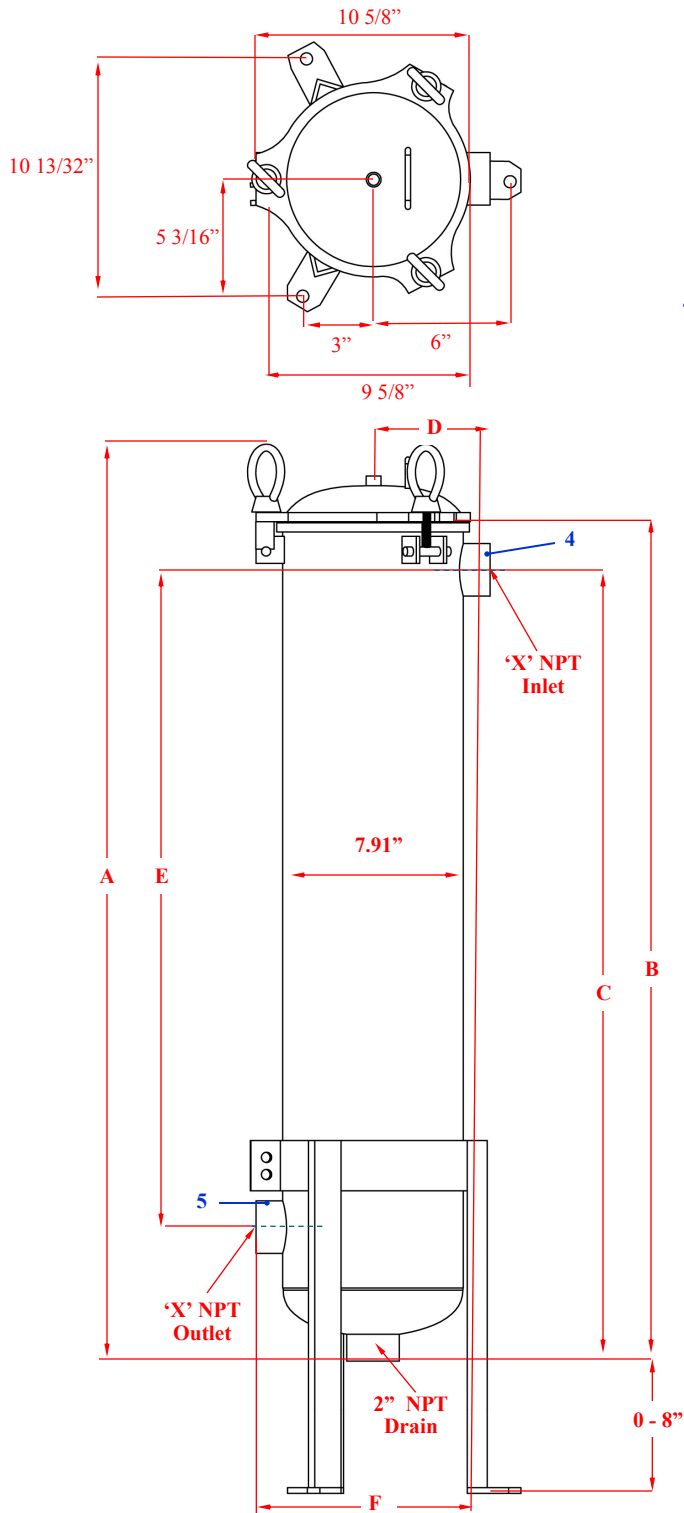


### Sock filter vessel flow rate chart

Description	DYS01	DYS02	DYS03	DYS04
No of Bags	1	1	1	1
Bag Size	1	2	3	4
Max Flow Rate	50	100	15	30

# Bag / sock filter vessel

## Technical drawing ( DYS01 & DYS02 )



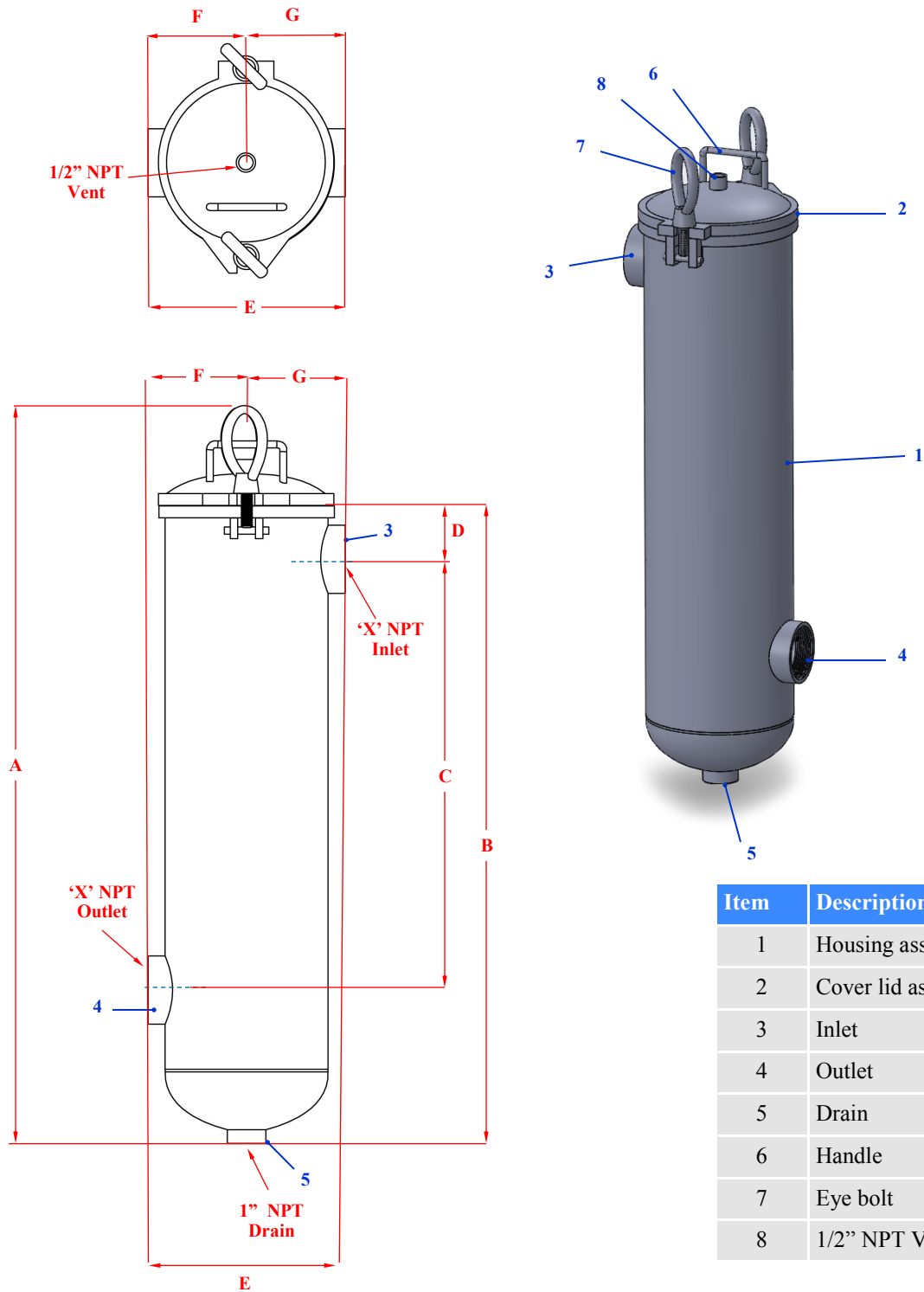
Item	Description
1	Housing assemble
2	Cover lid assemble
3	Leg assembly
4	Inlet
5	Outlet
6	Drain
7	Handle
8	Eye bolt
9	1/2" NPT Vent

DYS01 (50 gallon per min)						
X	A	B	C	D	E	F
2	25 3/16	22 3/16	19 15/16	5 1/16	14 1/4	10 1/4
3	27 5/16	23 7/16	20 9/16	5 3/16	14 1/4	12 1/16

DYS02 (100 gallon per min)						
X	A	B	C	D	E	F
2	40 5/16	36 11/16	34 7/16	5 1/16	28 3/4	10 1/4
3	41 5/8	37 15/16	35 1/16	5 3/16	28 3/4	12 1/16

# Bag / sock filter vessel

## Technical drawing ( DYS03 & DYS04 )



Item	Description
1	Housing assemble
2	Cover lid assemble
3	Inlet
4	Outlet
5	Drain
6	Handle
7	Eye bolt
8	1/2" NPT Vent

DYS03 (15 gallon per min)							
X	A	B	C	D	E	F	G
1	16 7/16	13 7/16	5 3/8	1 13/16	6	3	3
2	17 1/4	14 1/4	5 3/8	2 1/2	6 3/8	3 1/8	3 1/4

DYS04 (30 gallon per min)							
X	A	B	C	D	E	F	G
1	21 15/16	18 15/16	10 5/8	1 13/16	6	3	3
2	22 3/4	19 3/4	10 5/8	2 1/2	6 3/8	3 1/8	3 1/4

# Filter Bags



## BG Series

The BG series felt bag filters are designed for efficient particulate removal from various fluid chemistries. They are available in nylon, polypropylene, polyester and Teflon® materials, with an option of 1, 5, 10 and 25 micron sizes. These bag filters are suitable to be used with the DYS series bag filter vessels and are designed to withstand up to twice the dirt holding capacity of a standard filter bag. The filter bags are systematically tested with the Dynalene fluid for compatibility and are available for purchase in small and large quantities.

## Features

- Compatible with all the Dynalene fluids.
- Compatible with wide range of operating temperatures from -50°F to 450°F
- Highly efficient particle removal capability that is ideal for filtration in continuously operated fluid systems.
- Available in various micron ratings and material of construction.
- Suitable to use with DYS series bag / sock filter vessel.
- Withstands high solid loading, up to twice the dirt holding capacity of a standard filter bags.

## Specification

Filter material	Nylon, polypropylene, polyester and Teflon
Filter bag size	1, 2, 3, 4
Micron size	1, 5, 10 and 25 µm
Ring	Nylon, polypropylene, polyester and Teflon
Operating temperatures	Wide operating temperature from -50°F to 450°F (-45°C to 232°C)

## Customization

With our experience of handling fluids and understanding of filtration media, we will be able to help you design an appropriate filtration system that can meet your needs. Contact us today at [610.262.9686](tel:610.262.9686) or email at [info@dynalene.com](mailto:info@dynalene.com) and discuss your application with Dynalene's fluid experts today.

## Ordering information

1	2	3	4	5
BG	01	PO	10	PO

1 **Model Number**  
BG

2 **Bag Size**  
1 = Bag size 1  
2 = Bag size 2  
3 = Bag size 3  
4 = Bag size 4

3 **Material**  
N = Nylon  
PO = Polypropylene  
PE = Polyester  
T = Teflon

4 **Micron Size**  
1 = 1 micron  
5 = 5 micron  
10 = 10 micron  
25 = 25 micron

5 **Ring**  
N = Nylon Polyloc  
PO = Polypropylene Polyloc  
PE = Polyester Polyloc  
T = Teflon



Headquarters:

5250 W. Coplay Road Whitehall,  
Pennsylvania 18052

Midwest location:

648 Bennett Road  
Elk Grove Village, IL 60007

West location:

1701 S 5350 W  
Salt Lake City, UT 84104

Email: [info@dynalene.com](mailto:info@dynalene.com)

Phone: 610.262.9686 / 1.877.244.5525

Fax: 610-262-7437

Web: [www.dynalene.com/filtration](http://www.dynalene.com/filtration)

©2015 Dynalene Inc

All Rights Reserved

Printed in USA

July 2015